

# ASSEMBLY GUIDE | GUIDE D'ASSEMBLAGE GUÍA DE MONTAJE | MONTAGEANLEITUNG | GUIDA DI MONTAGGIO



MODEL / MODÈLE / MODELO / MODELL / MODELLO : PBV24CB  
PART / PIÈCE / PARTE / TEIL / PARTE : 10806

# CHAMPION™

## CHARCOAL BARREL SMOKER

IMPORTANT, READ CAREFULLY, RETAIN FOR FUTURE REFERENCE. MANUAL MUST BE READ BEFORE OPERATING!

## FUMOIR BARIL POUR CHARBON DE BOIS

IMPORTANT, PRENEZ CONNAISSANCE DE CE DOCUMENT ET CONSERVEZ-LE POUR RÉFÉRENCE ULTÉRIEURE. VOUS DEVEZ LIRE CE GUIDE AVANT D'UTILISER LE BARBECUE!

## AHUMADOR DE BARRIL PARA CARBÓN VEGETAL

IMPORTANTE, LEER DETENIDAMENTE, CONSERVAR PARA REFERENCIA FUTURA. LEA EL MANUAL ANTES DEL USO!

## HOLZKOHLEFASSRAUCHER

WICHTIG: AUFMERKSAM LESEN UND GUT AUFBEWAHREN BITTE UNBEDINGT VOR GEBRAUCH DIE BEDIENUNGSANLEITUNG SORGFÄLTIG DURCHLESEN!

## FUMATORE DI CARBONE A BOTTE

IMPORTANTE: LEGGERE ATTENTAMENTE E CONSERVARE PER RIFERIMENTO FUTURO. LEGGERE IL MANUALE PRIMA DELL'USO.

For outdoor and household use only. Not for commercial use.  
Réservé à l'usage extérieur et résidentiel uniquement. Non destiné à un usage commercial.  
Solo para uso doméstico y en el exterior. No apto para uso comercial.  
Bitte nur im Freien und privat nutzen. Nicht für die gewerbliche Anwendung geeignet.  
Solo per uso domestico ed esterno. Non per uso commerciale.

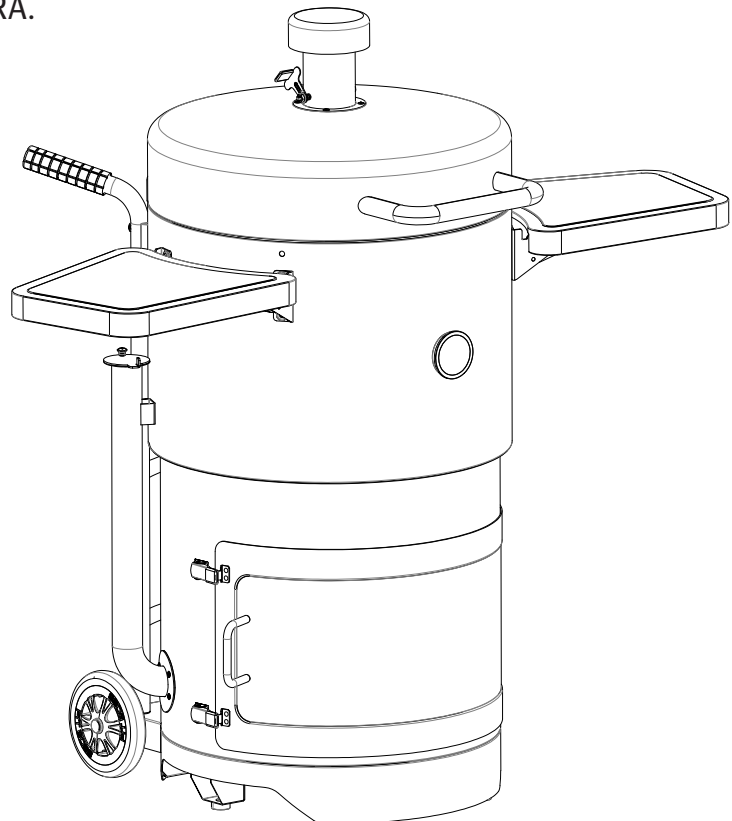
**WARNING:** PLEASE READ THE ENTIRE MANUAL BEFORE INSTALLATION AND USE OF THIS APPLIANCE. FAILURE TO FOLLOW THESE INSTRUCTIONS COULD RESULT IN PROPERTY DAMAGE, BODILY INJURY OR EVEN DEATH. CONTACT LOCAL BUILDING OR FIRE OFFICIALS ABOUT RESTRICTIONS AND INSTALLATION INSPECTION REQUIREMENTS IN YOUR AREA.

**AVERTISSEMENT :** VEUILLEZ LIRE L'INTÉGRALITÉ DU MANUEL AVANT INSTALLATION ET UTILISATION DE CET APPAREIL. LE NON-RESPECT DE CES INSTRUCTIONS PEUT ENTRAÎNER DES DOMMAGES MATÉRIELS, DES DOMMAGES CORPORELS OU MÊME LA MORT. CONTACTEZ LES AUTORITÉS LOCALES COMPÉTENTES CONCERNANT LES RESTRICTIONS ET LES EXIGENCES D'INSPECTION EN VIGUEUR DANS VOTRE RÉGION.

**ADVERTENCIA:** LEA TODO EL MANUAL ANTES DE MONTAR Y USAR ESTA BARBACOA. SI NO SE SIGUEN ESTAS INSTRUCCIONES, PUEDEN PRODUCIRSE DAÑOS MATERIALES, LESIONES CORPORALES O INCLUSO LA MUERTE. PÓNGASE EN CONTACTO CON LOS ADMINISTRADORES DEL EDIFICIO O CON LOS BOMBEROS PARA CONSULTAR LAS RESTRICCIONES Y LOS REQUISITOS DE INSPECCIÓN DE LAS INSTALACIONES DE SU ZONA.

**ACHTUNG:** BITTE LESEN SIE DIE GESAMTE ANLEITUNG SORGFÄLTIG DURCH, BEVOR SIE DIESES GERÄT AUFSTELLEN UND BENUTZEN. DIE NICHTBEACHTUNG DIESER ANWEISUNGEN KANN ZU SACHSCHÄDEN, VERLETZUNGEN ODER SOGAR ZUM TOD FÜHREN. FÜR EINSCHRÄNKUNGEN SOWIE MONTAGE- UND KONTROLLAUFLAGEN IN IHRER REGION WENDEN SIE SICH AN DIE GEBÄUDE- ODER BRANDBEAUFTRAGTEN VOR ORT.

**AVVERTENZA:** LEGGERE L'INTERO MANUALE PRIMA DELL'INSTALLAZIONE E DELL'USO DI QUESTA APPARECCHIATURA. LA MANCATA OSSERVANZA DELLE ISTRUZIONI PUÒ CAUSARE DANNI ALLA PROPRIETÀ, LESIONI FISICHE O MORTE. CONTATTARE LE AUTORITÀ LOCALI COMPETENTI PER L'EDILIZIA O I VIGILI DEL FUOCO PER INFORMAZIONI SULLE RESTRIZIONI E SUI REQUISITI DI ISPEZIONE DEGLI IMPIANTI NELLA PROPRIA ZONA.





**COPYRIGHT NOTICE**

Copyright 2021. All right reserved. No part of this manual may be copied, transmitted, transcribed, stored in a retrieval system, in any form or by any means without expressed written permission of,

**DANSONS EUROPE**

11 Rue Galvani Paris, France 75017

**DANSONS NORTH AMERICA**

8877 North Gainey Center Drive, Scottsdale, AZ, USA 85258

**CUSTOMER CARE**

[www.pitboss-grills.com](http://www.pitboss-grills.com)

**TABLE OF CONTENTS**

Parts & Specs..... 3

Assembly Preparation..... 4

Assembly Instructions..... 4

    Installing The Wheels..... 4

    Mounting The Body Bracket Handles ..... 5

    Securing The Chimney ..... 5

    Mounting The Lid Handle ..... 5

    Mounting The Door Handle..... 6

    Installing The Air Intake Pipes ..... 6

    Securing The Side Shelf Brackets ..... 6

    Installing The Side Shelves ..... 7

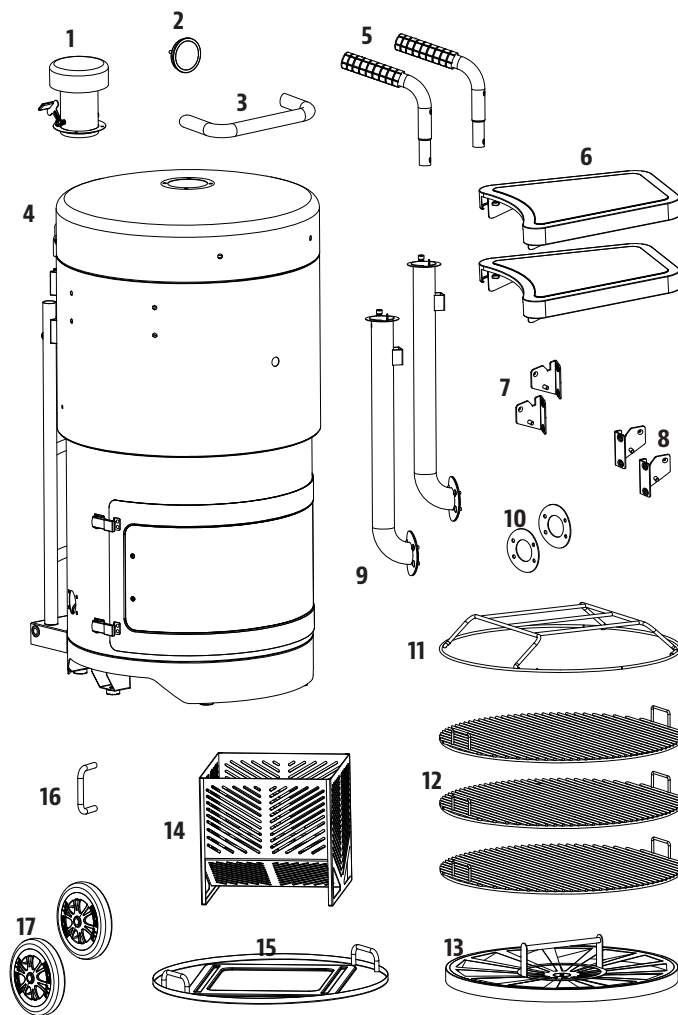
    Mounting The Thermometer ..... 7

    Installing The Charcoal Basket..... 7

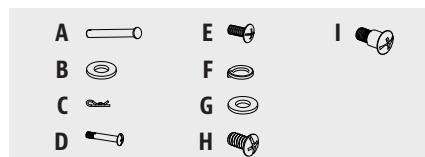
    Placing The Cooking Components ..... 8

# PARTS & SPECS

| Part# | Description                     |
|-------|---------------------------------|
| 1     | Chimney Assembly (x1)           |
| 2     | Thermometer (x1)                |
| 3     | Lid Handle (x1)                 |
| 4     | Barrel Body (x1)                |
| 5     | Body Bracket Handle (x2)        |
| 6     | Side Shelf (x2)                 |
| 7     | Side Shelf Bracket - Left (x2)  |
| 8     | Side Shelf Bracket - Right (x2) |
| 9     | Air Intake Pipe (x2)            |
| 10    | Air Intake Silicone Pad (x2)    |
| 11    | Hanging Rack (x1)               |
| 12    | Cooking Grid (x3)               |
| 13    | Heat Diffuser Plate (x1)        |
| 14    | Charcoal Basket (x1)            |
| 15    | Charcoal Tray (x1)              |
| 16    | Door Handle (x1)                |
| 17    | Wheel (x2)                      |
| A     | Wheel Axle Pin (x2)             |
| B     | Wheel Washer (x2)               |
| C     | Wheel Cotter Pin (x2)           |
| D     | Screw (x4)                      |
| E     | Screw (x14)                     |
| F     | Locking Washer (x4)             |
| G     | Washer (x4)                     |
| H     | Screw (x8)                      |
| I     | Step Screw (x4)                 |



NOTE: Due to ongoing product development, parts are subject to change without notice. Contact Customer Care if parts are missing when assembling the unit.



| MODEL             | ASSEMBLED (WxDxH)                                 | WEIGHT                | GRIDS | GRID DIAMETER        | COOKING AREA   |
|-------------------|---|-----------------------|-------|----------------------|--|
| <b>PB</b> PBV24CB | 1,357 X 1,300 X 856 MM<br>/ 53.4 X 51.1 X 33.7 IN | 67.0 KG<br>/ 147.7 LB | 3     | 56.1 CM<br>/ 22.1 IN | <b>7,471 CM<sup>2</sup></b><br><b>/ 1,158 IN<sup>2</sup></b> |

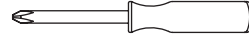
## ASSEMBLY PREPARATION

Parts are located throughout the shipping carton, including underneath the smoker. Inspect the unit, parts, and hardware blister pack after removing from the protective shipping carton. Discard all packaging materials from inside and outside of the smoker before assembly, then review and inspect all parts by referencing the parts list. If any part is missing or damaged, do not attempt to assemble. Shipping damage is not covered under warranty. Contact your dealer or Pit Boss® Grills Customer Care for parts.

[www.pitboss-grills.com](http://www.pitboss-grills.com)

**IMPORTANT: Using two people is necessary when assembling this unit.**

**Tools required for assembly:** Phillips screwdriver. Tools not included.



## ASSEMBLY INSTRUCTIONS

**IMPORTANT: It is advised to read each step entirely before starting assembly on instructions. Do not tighten screws completely until all screws for that step have been installed. Hardware combination involving a locking washer and washer should be installed with the locking washer closest to the head of the screw.**

### 1. INSTALLING THE WHEELS

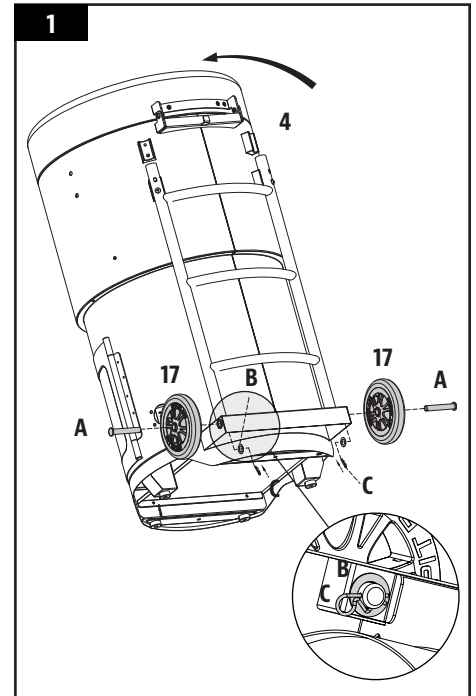
**Parts Required:**

- 1 x Barrel Body (#4)
- 2 x Wheel (#17)
- 2 x Wheel Axle Pin (#A)
- 2 x Wheel Washer (#B)
- 2 x Wheel Cotter Pin (#C)

**Installation:**

- Place a piece of cardboard on the floor to prevent scratching the unit and parts during assembly.
- Insert Wheel Axle Pin through the Wheel to the base of the Barrel Body and into the hole, as shown. From below, add a Wheel Washer, then secure using the Wheel Cotter Pin. Repeat same installation for the other Wheel.

**NOTE: Once installed, both wheels should spin freely.**



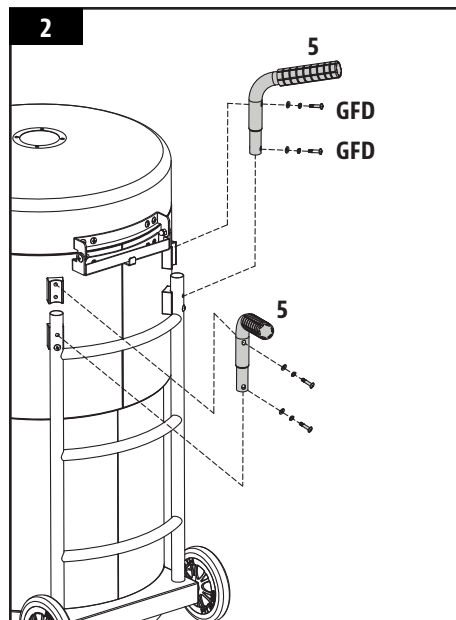
## 2. MOUNTING THE BODY BRACKET HANDLES

### Parts Required:

- 2 x Body Bracket Handle (#5)
- 4 x Screw (#D)
- 4 x Locking Washer (#F)
- 4 x Washer (#G)

### Installation:

- Insert the open end of a Body Bracket Handle into the top end of the Body Bracket, pushing it in until the mounting holes align. Secure using two washers, locking washers, and screws. Repeat installation for the second Body Bracket Handle. See illustration for proper arrangement.



## 3. SECURING THE CHIMNEY

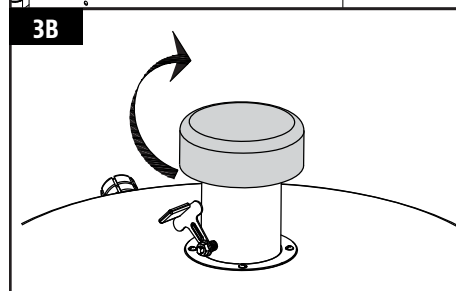
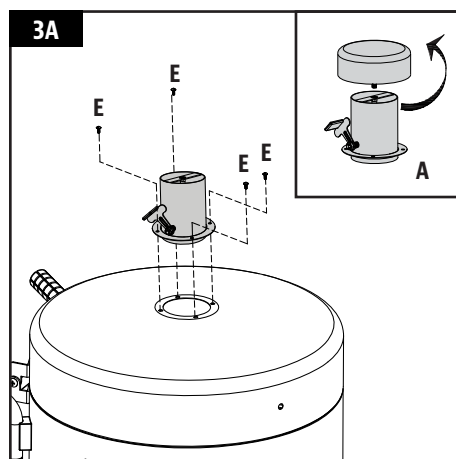
### Parts Required:

- 1 x Chimney Assembly (#1)
- 4 x Screw (#E)

### Installation:

- First, twist the Chimney Cap off of the Chimney Stack. This will make the Chimney Stack easier to install. Locate the round opening on the top of the Barrel Lid. From the outside, secure the Chimney Stack to the top of the Barrel Lid using four screws. The screw will fasten to the self-clinching nut on the inside of the Barrel Lid. Note illustration 3A.
- Replace the Chimney Cap by twisting it back onto the top of the Chimney Stack. Note illustration 3B.

**NOTE: Adjust the Chimney Cap to affect the airflow inside the Smoker. If cooking at low temperature, keep the cap more closed to restrict airflow. If cooking at a high temperature, keep the cap more open to increase airflow.**



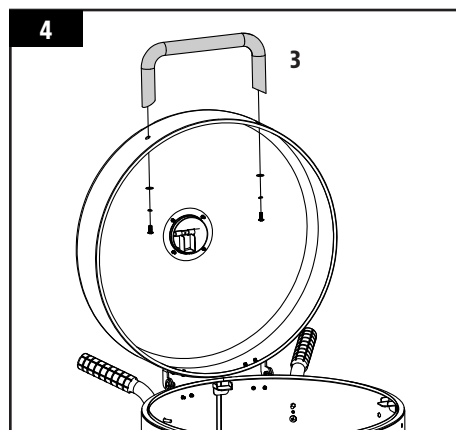
## 4. MOUNTING THE LID HANDLE

### Parts Required:

- 1 x Lid Handle (#3)

### Installation:

- Remove the pre-installed screws, locking washers, and washers from the Lid Handle. From the inside the Lid of the Barrel Body, insert one screw, locking washer, and washer to protrude to the outside, then secure the screw (from the inside) into the Lid Handle. Repeat same installation for other end of the Lid Handle.



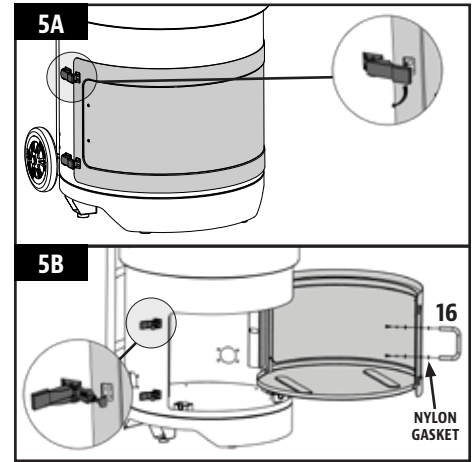
## 5. MOUNTING THE DOOR HANDLE

### Parts Required:

- 1 x Door Handle (#16)

### Installation:

- First, open the Charcoal Refill Door. Pull the end of the Door Buckles to release the Door Buckles latch that seals the Charcoal Refill Door. Note detail illustration 5A & 5B.
- Remove the pre-installed screws, nylon gaskets, locking washers, and washers. From the inside the Charcoal Refill Door, insert one screw, locking washer, and washer to protrude to the outside, then add the nylon gasket over the protruding screw. Secure the screw (from the inside) into the Door Handle. Repeat same installation for other end of the Door Handle. Note illustration 5B.



## 6. INSTALLING THE AIR INTAKE PIPES

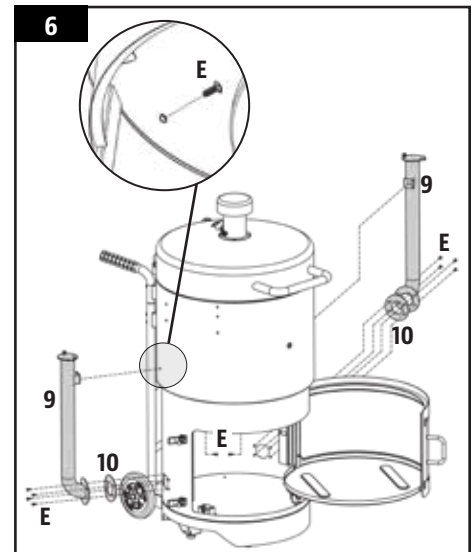
### Parts Required:

- 2 x Air Intake Pipe (#9)
- 2 x Air Intake Silicone Pad (#10)
- 10 x Screw (#E)

### Installation:

- Starting on one side, place an Air Intake Silicon Pad between the Air Intake Pipe and align the mounting holes with the Barrel Body, as shown. Then tighten each of the four screws halfway first. Secure a fifth screw, from the inside of the Barrel Body, into the upper part of the Air Intake Pipe. Once all five screws are mounted and aligned properly, tighten completely.
- Repeat same installation for the other Air Intake Pipe on the opposing side of the Barrel Body.

**IMPORTANT: The bottom part of each Air Intake Pipe should be completely sealed (once completely tightened) to avoid any chance of embers escaping while the charcoal is lit. If there are gaps, unscrew and attempt to reinstall again.**



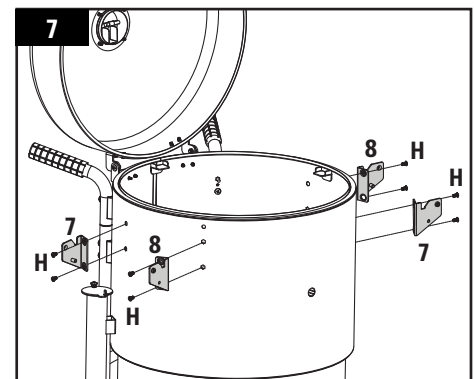
## 7. SECURING THE SIDE SHELF BRACKETS

### Parts Required:

- 2 x Side Shelf Bracket - Left (#7)
- 2 x Side Shelf Bracket - Right (#8)
- 8 x Screw (#H)

### Installation:

- Note illustration for proper arrangement. Mount one Side Shelf Bracket to the Barrel Body using two screws. Install each screw halfway first, then tighten completely when both screws are mounted and aligned properly. Repeat installation for the other three Side Shelf Brackets to the Barrel Body.



## 8. INSTALLING THE SIDE SHELVES

### Parts Required:

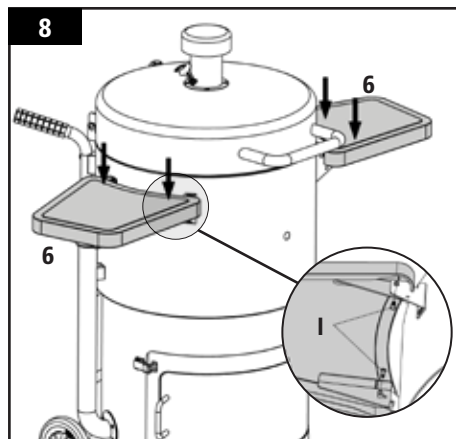
- 2 x Side Shelf (#6)
- 4 x Step Screw (#1)

### Installation:

- Align and position one Side Shelf onto the Side Shelf Brackets on one side of the Barrel Body. From underneath, secure a step screw into each corner, as shown the detailed illustration. Repeat same installation for the Side Shelf on the other side of the unit.

**NOTE: Once installed, both Side Shelves can be raised (for use) or lowered (for storage) with ease.**

**IMPORTANT: Avoid using the Side Shelves to move or lift the unit. The weight of the unit will cause the shelves to break, which is not covered by warranty.**



## 9. MOUNTING THE THERMOMETER

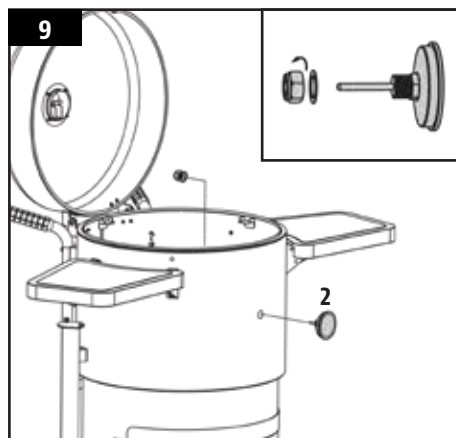
### Parts Required:

- 1 x Thermometer (#2)

### Installation:

- First, remove the pre-installed nut and washer from the stem of the Thermometer.
- From the outside of the Barrel Body insert the stem of the Thermometer from the outside, then secure into place using the washer and nut from the inside of the Barrel Body.

**NOTE: Ensure the Thermometer is rotated for readability.**



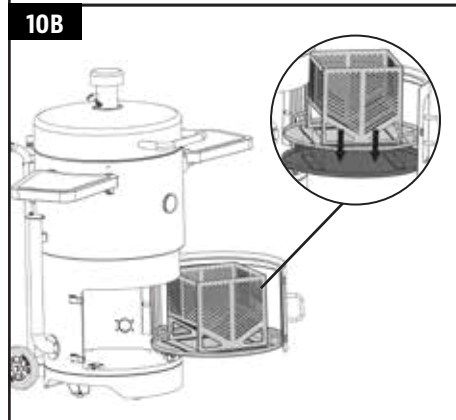
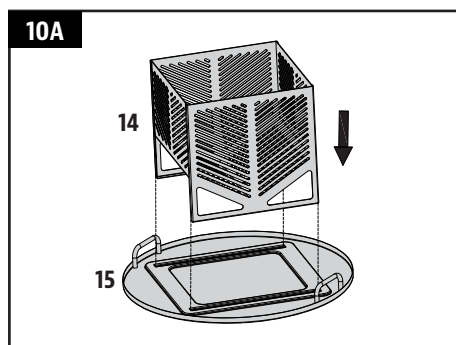
## 10. INSTALLING THE CHARCOAL BASKET

### Parts Required:

- 1 x Charcoal Basket (#14)
- 1 x Charcoal Tray (#15)

### Installation:

- First, place the Charcoal Basket onto the inset grooves of the Charcoal Tray, as shown in illustration 10A. The Charcoal Basket will rest in these grooves without fastening.
- Next, with the Charcoal Refill Door open, place the combined Charcoal Basket and Tray into the base of the door. Note illustration 10B. Once in position, close the Charcoal Refill Door and latch the Door Buckles to seal.



## 11. PLACING THE COOKING COMPONENTS

### Parts Required:

- 1 x Hanging Rack (#11)
- 3 x Cooking Grid (#12)
- 1 x Heat Diffuser Plate (#13)

### Installation:

- Open the Lid of the Barrel Body. Insert the Heat Diffuser Plate into the lowest position inside the Barrel Body, directly above the Charcoal Basket.

**NOTE: The Heat Diffuser Plate is used to disperse the direct heat from the Charcoal Basket, creating a more even heat distribution throughout the Barrel Body.**

- Next, place the Cooking Grids into the Barrel Body, resting each grid on the pre-mounted support brackets. Adjust the height of the support brackets, as needed.

**NOTE: To maintain the grilling performance of your Cooking Grids, regular care and maintenance is required.**

- When desired for use, remove the Cooking Grids and place the Hanging Rack on the highest position inside the Barrel Body.
- The unit is now completely assembled.

**Refer to Owner's Manual for Operating Instructions.**

